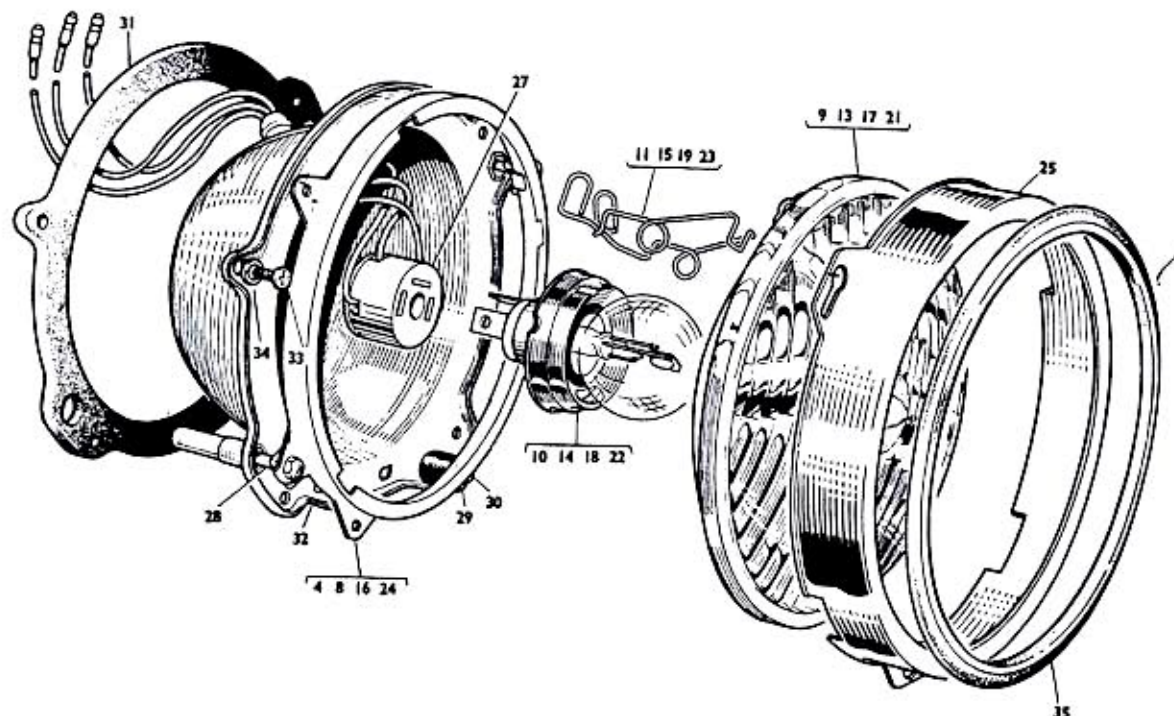




BENTLEY



SPOT THE MISTAKE?

WE CAN.



It's often easy to overlook the little things.

Take this screw for example. It may not look like much, but the thought of using a substitute remains wholly unthinkable to both owners and ourselves alike. You'll find further examples of this uncompromising stance on our soon to be launched brand new Parts website. Featuring over 55,000 parts for heritage Bentleys and Crewe-built Rolls-Royce models (1955-2002), this new website promises to offer owners access to comprehensive

information about these original parts, including availability and links direct to our worldwide network of Authorised Dealers – and we'd love to offer you the chance to be among the first in the world to see it when it goes live. It also goes without saying that every part featured on the website is meticulously manufactured to the original drawings and specifications and covered by a Bentley warranty. After all, it's the little things that count.

DON'T MAKE THE MISTAKE OF MISSING OUT.

To register for the brand new Parts website simply visit the Bentley stand,
or visit www.genuine-crewe-parts.com



BENTLEY